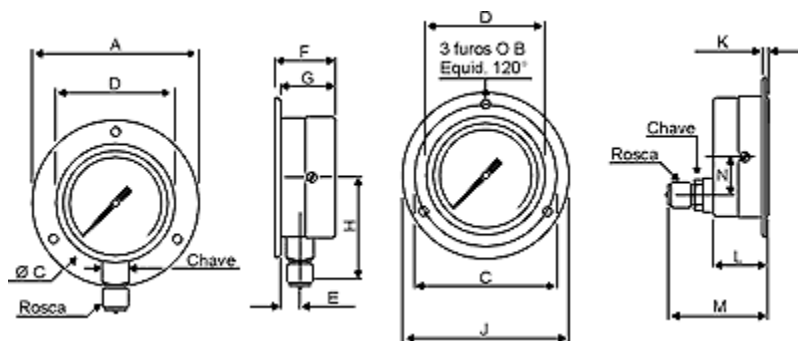


Modelo ZS

Dimensões (ZS.100 / ZS.150 e ZS.200):



Características:

- Caixa: Aço carbono (pintada em preto) ou Aço inoxidável AISI 304.
- Sensor: Bourdon em "C" em ligas de cobre (solda estanho).
- Soquete e Mecanismo: Latão.
- Classe: B (ABNT) - 2% (entre 25% e 75%) da faixa e 3% (demais pontos).
- Conexão: 1/8" NPT.
- Visor: Policarbonato.
- Escala Dupla: PSI (Vermelho) e BAR (Preto) com fundo branco.

Ø NOMINAL	A	B	C	D	E	F	G	J	K	L	N
100	132,0	5,0	116,0	101,0	19,0	48,0	45,0	135,0	7,0	45,0	32,5
150	196,0	5,0	178,0	161,0	18,0	50,0	48,0	195,0	5,0	47,0	32,5
200	240,0	5,0	221,0	202,0	18,0	50,0	48,0	-	-	49,0	32,5

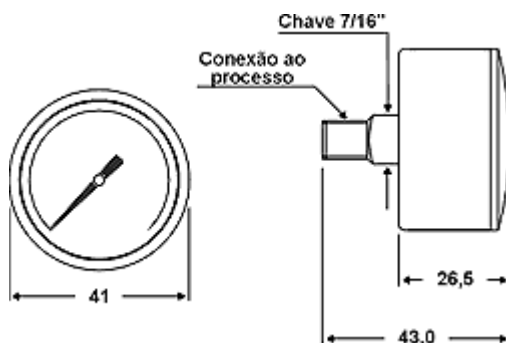
DIMENSÕES	J				M			
	1/4"NPT	1/4"BSP	1/2"NPT	1/2"BSP	1/4"NPT	1/4"BSP	1/2"NPT	1/2"BSP
100	80,0	80,0	83,0	83,0	74,0	77,0	81,0	80,0
150	-	-	116,0	116,0	76,0	79,0	83,0	82,0
200	-	-	137,0	137,0	78,0	81,0	85,0	84,0

Ao solicitar especifique conforme o exemplo:

Modelo	Ligação	Faixa (BAR)	Conexão
ZS.100	1	0 - 10 BAR	12-N
↓	↓	↓	↓
Ø nominal de 100mm ZS.100 Ø nominal de 150mm ZS.150 Ø nominal de 200mm ZS.200	Vertical 1 Angular 2 Angular com flange dianteira (exceto Ø 200mm) 3 Vertical com flange traseira 4 Angular com flange traseira e garras para fixação 5	Vide tabela de faixas, desde vácuo até 400 BAR	1/4" BSP 14-B 1/4" NPT 14-N 1/2" BSP 12-B 1/2" NPT 12-N Outra, especificar



Dimensões ZS 40:

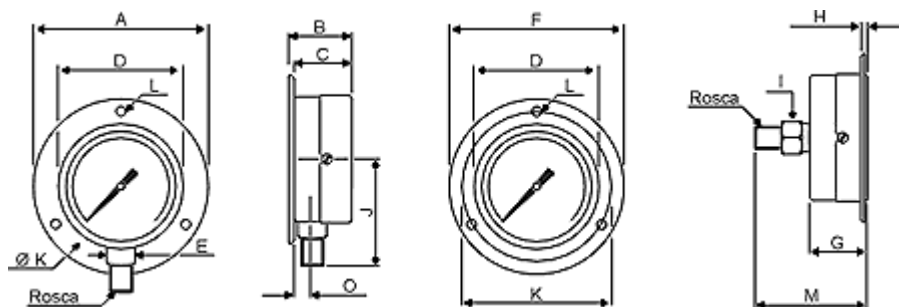


•Projetado em tamanho reduzido, o modelo ZS.40 é o menor manômetro da linha ZS. Próprio para válvulas pneumáticas, mini-filtros para pintura e pequenos equipamentos.

Ao solicitar especifique conforme o exemplo:

Modelo	Ligação	Faixa (BAR)	Conexão
ZS.40	1	0 - 30 PSI / 2 BAR	18-N
Ø nominal de 40mm, caixa em aço carbono, pintada em preto ZS.40 Ø nominal de 40mm, caixa em aço inoxidável ZSI.40	Vertical 1 Angular 2	0 - 30 PSI / 2 BAR 0 - 60 PSI / 4 BAR 0 - 100 PSI / 7 BAR 0 - 160 PSI / 11 BAR Outra, especificar	1/8" NPT 18-N Outra, especificar

Dimensões (ZS.50 / ZS.60 e ZS.80):



Ø NOMINAL	A	B	C	D	F	G	H	K	L	O
50	65,0	33,0	30,0	53,0	65,0	30,0	2,5	58,0	3,0	10,0
60	85,0	33,0	30,0	63,0	85,0	30,0	3,5	75,0	3,0	10,5
80	112,0	33,0	32,0	80,5	113,0	32,0	5,5	97,0	4,0	10,5



DIMENSÕES	J					M				
	1/8"NPT	1/4"BSP	1/4"NPT	1/2"BSP	1/2"NPT	1/8"NPT	1/4"BSP	1/4"NPT	1/2"BSP	1/2"NPT
50	45,0	45,0	46,0	-	-	49,0	51,0	53,0	-	-
60	54,0	52,0	52,0	-	-	49,0	51,0	53,0	-	-
80	-	64,0	64,0	77,0	78,0	52,0	54,0	56,0	64,0	64,0

Ao solicitar especifique conforme o exemplo:

Modelo		Ligação		Faixa (BAR)		Conexão	
ZS.60		1		0 - 30 PSI / 2 BAR		18-N	
Ø nominal de 50mm	ZS.50	Vertical	1	Vide tabela de faixas, desde vácuo até 400 BAR		1/8" NPT	18-N
Ø nominal de 60mm	ZS.60	Angular	2			1/4" BSP	14-B
Ø nominal de 80mm	ZS.80	Angular com flange dianteira (exceto Ø 200mm)	3			1/4" NPT	14-N
		Vertical com flange traseira	4			1/2" BSP	12-B
		Angular com flange traseira e garras para fixação	5			1/2" NPT	12-N
						Outra, especificar	